

Wastewater Pumps

DanPumps S-WP3 - 50 Hz

Product Applications

The DanPumps S-WP3 pump is especially designed for wastewater applications and offers high hydraulic efficiencies. It is suitable for unscreened waste water from sewage plants and industries.

Design

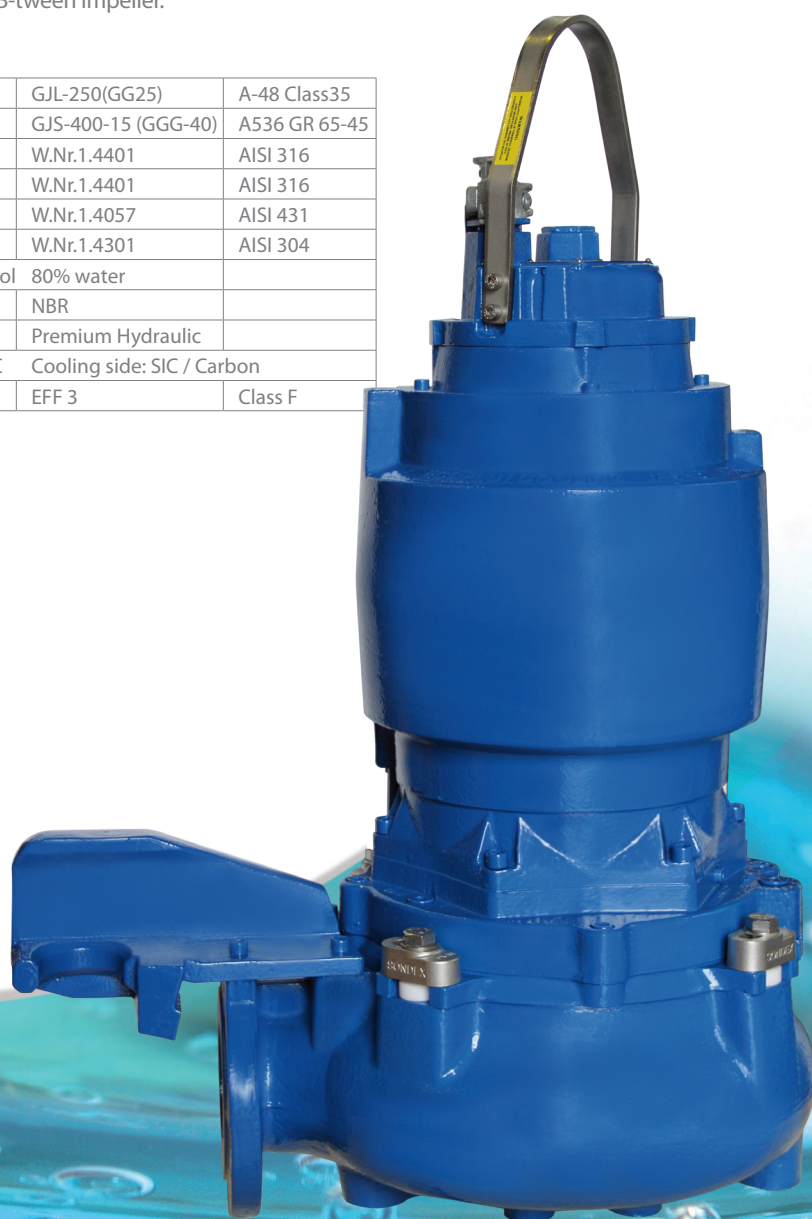
The characteristics of our wastewater pumps are high quality, long lifetime and user friendly design. The DanPumps S-WP3 pump can be delivered as dry, wet or portable installation and with either a channel, a vortex or a B-tween impeller.

Materials

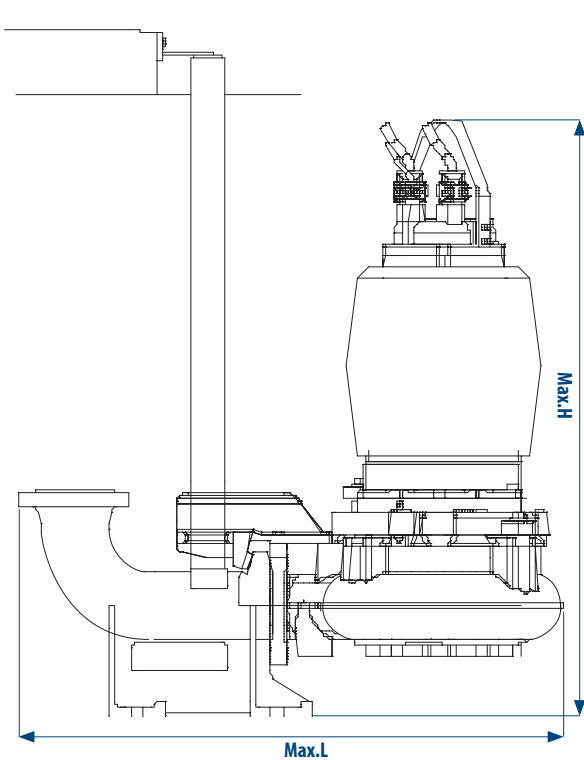
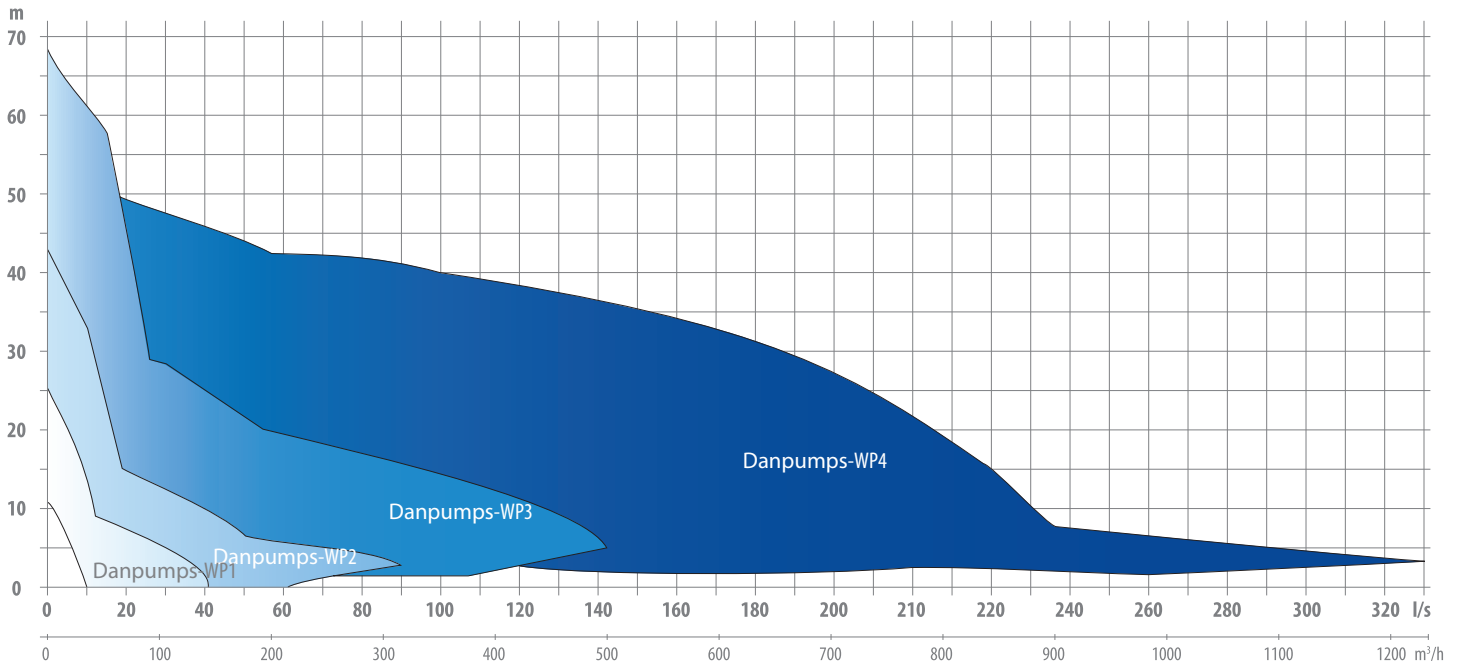
Pump Housing, base elbow, cartridge seal	Grey cast iron	GJL-250(GG25)	A-48 Class35
Impeller (cast iron) adapter	Ductile cast iron	GJS-400-15 (GGG-40)	A536 GR 65-45
Option: Stainless steel impeller	Stainless cast steel	W.Nr.1.4401	AISI 316
Option: Stainless steel volute (DN150)	Stainless cast steel	W.Nr.1.4401	AISI 316
Shaft	Stainless steel	W.Nr.1.4057	AISI 431
Seal sleeve, screws	Stainless steel	W.Nr.1.4301	AISI 304
Coolant	20% Propylene glycol	80% water	
O-rings	Nitrile	NBR	
Oil	Mobile DTE 24	Premium Hydraulic	
Mechanical seal	Media side: SIC / SIC	Cooling side: SIC / Carbon	
Motor	Siemens	EFF 3	Class F

Operation standards

- Connections up to DN150
- Flow Rate up to 450 m³/h
- Overheating and moisture protection
- Channel, vortex and B-tween impellers in the same volute
- Double mechanical cartridge seal
- High-efficient motors
- Long lifetime due to accurate balancing
- Customized solutions and a modular system
- All DanPumps S-WP pumps can be fitted with closed cooling jacket
- Easy maintenance
- Adjustable wear ring

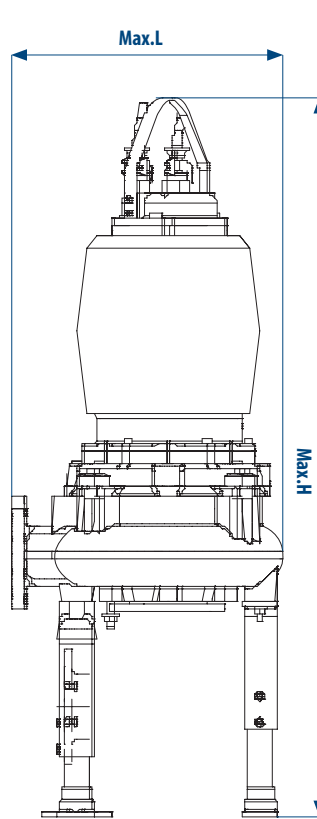


Performance Curves - Complete Danpumps-WP1 to Danpumps-WP4 Range - 50 Hz

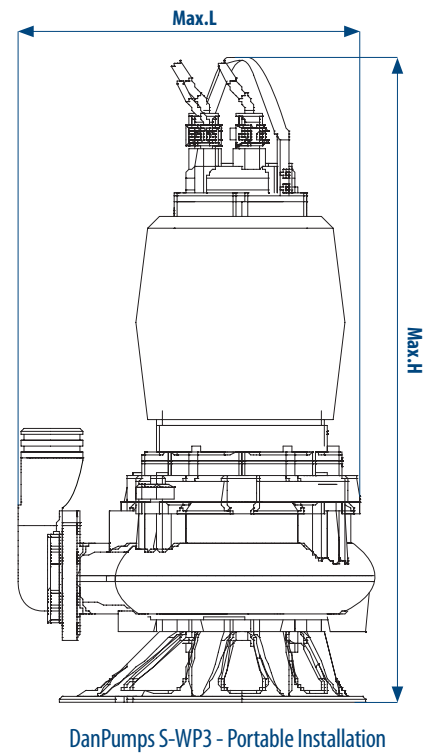


DanPumps S-WP3 - Wet Pit Installation

Please note that cooling jacket is an optional choice.



DanPumps S-WP3 - Dry Pit Installation



DanPumps S-WP3 - Portable Installation

Type	kW P2	Rpm	Inlet in mm	Outlet flange
S-WP3-80-2	8	2930	70	DN100
S-WP3-80-2	12,5	2940	70	DN100
S-WP3-80-2	21	2940	70	DN100
S-WP3-100-4	7,5	1455	100	DN100
S-WP3-100-4	9	1455	100	DN100
S-WP3-100-4	12,5	1460	100	DN100
S-WP3-100-4	17	1460	100	DN100
S-WP3-100-4	22	1455	100	DN100

Type	kW P2	Rpm	Inlet in mm	Outlet flange
S-WP3-150-6	6,6	950	100	DN150
S-WP3-150-6	13,5	960	100	DN150
S-WP3-150-4	7,5	1455	100	DN150
S-WP3-150-4	9	1455	100	DN150
S-WP3-150-4	12,5	1460	100	DN150
S-WP3-150-4	17	1460	100	DN150
S-WP3-150-4	22	1455	100	DN150

Type	Installation	Max. Height	Max. Width	Max. Length
S-WP3-80	Wet Pit	990	388	956
	Dry Pit	1333	388	494
	Portable	1039	452	593
S-WP3-100	Wet Pit	1087	439	983
	Dry Pit	1409	439	519
S-WP3-150	Wet Pit	834	490	1118
	Dry Pit	1433	490	577
	Portable	1103	492	741

All dimensions are in mm.



DanPumps A/S
Nordager 25
DK-6000 Kolding
Denmark

Tel. +45 8657 1344
info@danpumps.dk
www.danpumps.dk